



**JW HOSPITAL EQUIPMENT SERIES**  
**INFANT WARMER SYSTEM**

JW-W2000

# Infant Warmer



The easily transported fully featured JW-W2000 is suitable for Labour & Delivery and NICUs. Designed with functionality and performance in mind, it has an integrated bassinet, with tilt mechanism. Focused heating with one touch controls, ensures ease of use and even irradiance across the mattress. A Prewarm mode allows the warmer to be kept "baby ready" without nuisance alarms. JW-W2000 is configurable with optional accessories : Elevator Base, Weight scale, Phototherapy etc.

## FEATURES



### Prewarm Function

Convenient prewarm function to warm the mattress sufficiently in an emergency



### Adjustable Canopy Degree

Easy to access portable X-ray



### Expandable-Rail System

Accessories such as IV Pole and shelves can be easily attached.



### Soft Mattress

The mattress reduce the infant's stress by minimizing bedsores. The mattress does not prevent x-ray



### X-ray Cassette Tray

The cassette can be set without touching the newborn and it leads to relief of stress



### LED Examination Light

The LED light to enable the medical staff to observe the infant's skin color clearly



### Easy Tilt

For efficient treatment, you can tilt the bed with simple operation.



### Self Retractable Drawer

Self retractable drawer helps opening and closing smoothly and it also prevents noises which may frighten the infant. Drawer : Up to 7kg

- The microprocessor in this system provides precise temperature control to prevent the stress of cold air to premature babies.
- In Prewarm Mode, the heater value remains at 100% ( $30\text{mW}/\text{cm}^2 \pm 20\%$ ) for 15 minutes and then stay 20% ( $4.8\text{mW}/\text{cm}^2 \pm 20\%$ )
- Skin Mode provides an optimal environment by accurately calculating the balance of newborn baby's skin temperature.
- The bed unit is designed to allow soft and simple adjustment of the Tilting angle from any position ( $\pm 15^\circ$ )
- The large mattress assures stability to observe newborn babies quickly, the unit has four protective walls to prevent the infant from falling. Optional features include the X-ray cassette holder and scale.
- The unit has a built-in controller unit and connects and supports the heater unit to the base unit. It has a power inlet to connect outside power and a socket to connect the temperature sensor.
- An electronic timer generates a signal at 1 min., 3 min., 5 min., and 10 min. for APGAR testing.
- You can rotate the heater unit by  $90^\circ$  clockwise and counterclockwise in X-ray mode.
- Other peripherals are designed for easy mounting and dismounting.

## OPTIONAL FUNCTION



### Optional-Phototherapy (JW-PU2000)

Combinational white & blue LED light source for the treatment of newborn jaundice



### Optional-Lift Standing

Depending on treatment or user's height or, users can adjust the bed height.



### SPO2/O2, Weight Scale

User can check diverse indicators in the one bed.

# Technical Specifications

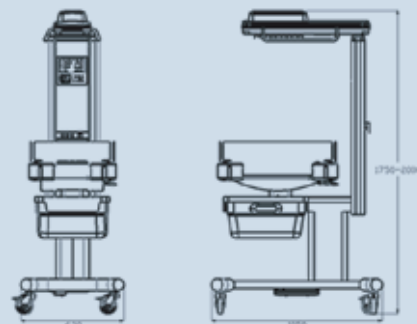
Basic form	
Overall Size	630(W) x 1,050(D) x 1,845(H)mm
Weight	Approx. 85kg
Fully-loaded(IV pole, Plate, Weight Scale, Lifting stand)	
Overall Size	Lifting stand : 630(W) x 1,050(D) x 1,750~2,000(H)mm
Weight scale	Lifting stand : Approx.100kg
Mattress	
Overall Size	480(W) x 680(D)mm
Control and measurement	
Control mode	Manual mode, Skin mode
Skin temperature display range	22.0 ~ 42.0°C Resolutions: ± 0.3°C
Skin temperature control range	36.0 ~ 38.0°C Resolutions: ± 0.3°C
Skin temperature probe	2EA
Heater output setting range	0 ~ 100% (in 10% increments)
Heater output power	30mW / cm <sup>2</sup> ± 20%
Heater life time	5000 hours
Display	
Alarm	Power fail, System fail, Baby temp. alarm, Probe error, Check baby
APGAR Timer	0 ~ 99minutes (in one minute increments)
Other features (Option)	
Trend	-15° ~ 15° ± 3°
Drawer	Up to 7kg
Weight scale (option)	Range : 0 ~ 9999g, Resolution : 1g, Accuracy ± 2g
Lifting stand (option)	250mm
Operating environment	
Temperature	10°C ~ 40°C
Humidity	30% ~ 95% (RH)

## Dimensional drawing

Overall size (mm)

Standard : 630(W) x 1,050(D) x 1,845(H)

Lifting stand (option) : 630(W) x 1,050(D) x 1,750 ~ 2,000(H)



CBW-1100

# Infant Warmer



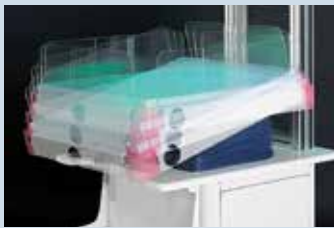
Cool comfortable lighting assures less fatigued eyes. Adjustable mobile stand designed for balanced stability & transporting. More effective phototherapy by 2pcs of fluorescent lamp.



X-ray photography procedures have been simplified. Just swivel the canopy through an angle of 90° to either sides.



X-ray cassette tray conveniently placed enables you to take accurate X-ray.



The mattress platform can be tilted 0 -10° with respect to the horizontal plane. So that it gives ample space for instruments, tubing and patient leads. The mattress does not prevent x-ray.



Computerized control system integrates all necessary controls, indicators, displays and alarms in a single location.

## FEATURES

- 3 switch in front of headlight which control: main power, exam light and phototherapy light.
- 4 foldable wall are made by mica. Front and back wall: 230 x 480 mm; Side walls: 600 x 230mm.
- 2 phototherapy lamp are integrated in canopy which are fluorescent lamps (non radiate U.V rays).
- 5 display screen: Air temperature, Skin temperature, Set temperature, Humidity, Timer.
- Storage compartment 500 x 560 x 490mm ( D x W x H ) was split into 2 part and has 2 doors on the side of infant warmer. Door's dimension: 350 x 460 mm.
- 5 levels of heater output was show in front of the main dashboard (0~100%).

**The CBW-1100** infant warmer is the system to offer you various patient care opportunities, incorporated computerized control and warming functions which expand capability for infant care management. You can precisely control the neonate's thermal environment to help prevent cold stress. And you can more easily work with your patient in chronic or intensive care situations in the operating room, delivery room or nursery. The built-in microprocessor precisely controls the temperature to help prevent cold stress from patient. The optimal environment for the patient is realized through servo control system which control the temperature between skin temperature and air temperature automatically. Tilting function (0 ~ 10°) allows better access to patient and patient management. Larger bed accommodates larger baby easily. The complete integrated multi-function computerized control panel enables that user can easily find out the trouble situation with his/her naked eyes through advanced alarm functions. The apgar timer gives audible and visual signal every 1 minute. So that user can easily check lapse-time of heating. If there is an error or malfunction, those surely be checked by self-diagnostic function, a series of diagnostic codes simplify troubleshooting and servicing.

### Sophisticated computerized control system.

The CBW-1100 infant warmer control system uses an advanced microprocessor to put you in control of patient and system status while providing both manual and servo modes of operation to maintain precision thermoregulation. In addition to enhancing patient safety with a comprehensive alarm system, the micro-processor also reduces service time with a complete system self-check on power up, verification of accurate operation and calibration during use.

### Computer-controlled warming

The powerful cal-rod heating element directs controlled radiant heat evenly across the entire bed surface, warming the baby but not the operator. The heater housing which also contains an exam light-swings out of the way 90° to either sides for special procedures, surgeries and X-rays whenever you need complete, unobstructed access to your patient. The apgar timer sounds every 1 min. showing lapse time of heating. All the transparent acryl baby guards but the one closest to the support pole may be pulled down out of the way to provide quick infant access. The mattress platform can be tilted 0 -10° with respect to the horizontal plane. So that it gives ample space for instruments, tubing and patient leads.

### Alarm function for safety

The provided alarms are for power fail, sensor fail, High/Low temperature of skin & air and over temperature. When alarm conditions occur, an appropriate indicator lamp will flash and buzzer will sound. Further, if the skin temperature rises 1° or more above the preset level, power supply to the heater will be automatically cut off to prevent further temperature rise.

## SPECIFICATIONS

Size	Overall: 680 x 1770 x 1020mm ( W x H x D )
	Dashboard: 370 x 180mm ( L x W )
	Headlight: 820 x 300 x 120mm ( D x W x H )
	Phototherapy light section: 750 x 68 x 110 mm ( D x H x W )
Weight	Approx 97 Kg
Mattress	680 x 560mm (D x W)
Skin temperature	Control temperature ranges: 35°C – 38°C Resolutions : 0.3°C
Air Temperature	Control temperature ranges : 20°C – 37°C Resolutions : 0.1°C
Display of temperature	Digital LED
Alarm function	Power fail. System fail. Sensor fail. Skin temp. Air temp. Over temp.
Apgar timer	Range of display : 1 ~ 99min. Sounds every 1 minute.
Phototherapy lamp	20W x 2ea Equipped with electronic-stablizer life span: 2,000Hrs
Halogen Lamp	Halogen lamp(50W x 1ea) : 3,000Lux Life span : 2,000Hrs.
Heater	Ceramic, infrared and radiant heating system Controlled by microprocessor Rotation of head part 90° to either side for X-ray
Trendelenburg	0 - 10°
X-ray cassette tray sized	10" x 12"
Caster	4" x 4ea with brake
Cabinet	Aesthetic design Giving space for storage
Power consumption	Max : 815 W
Power Source	AC 220V 50/60 Hz
Operating environment	Temperature: 10°C ~ 40°C Humidity: 30% ~ 95% (RH)

## ACCESSORY

Standard Accessory	EA	Option Accessory	EA
Temperature Sensor	1	Tray (240 W x 310 L mm)	1
Power Cord	1	Basket (300 W x 400 L x 115 H mm)	1
Fuse ( 250V, 5A)	2	IV Pole	1
Manual	1		



Basket



Tray



**JW GROUP**  
*Leader of Infant Care System*

***jw* Group**

**HEAD OFFICE**

JW Tower, 2477 Nambusunhwan-ro,  
Seocho-gu, Seoul, Korea  
Tel +82-2-2109-7800 Fax +82-2-852-0565  
E-mail [export@jw-holdings.co.kr](mailto:export@jw-holdings.co.kr)  
[www.jw-bioscience.co.kr](http://www.jw-bioscience.co.kr)